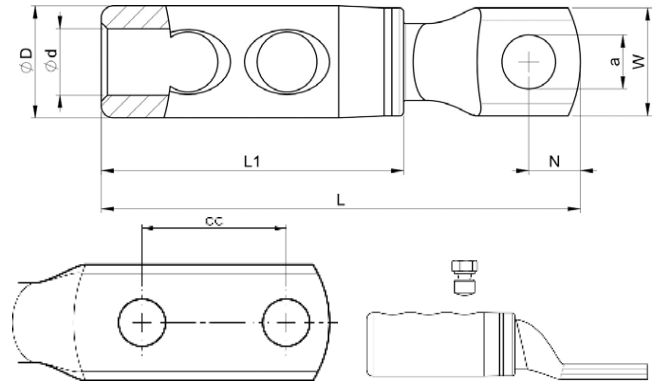




ELPRESS®

Product Datasheet

Shearbolt terminals 10 - 630 mm² (pre-threaded screw)



Cable type round mm ²	Cable type sector mm ²	Name	Screen conductor	Screen conductor (with filling piece)	Screw	W (mm)	d	D	N	cc	a	L	L1	L2	t	s
10-50	10-50	SL50N-10-12	10-35		M10, M12	25,5	12	20/17,3	12,5	13	87	44			5,9	32
35-95	35-95	SL95N-10-12	57-95	16-35 (SC95N/PEN)	M12, M10	27,3	16	17/23	12,5	13	96	52,5			4,7	56
120-240	120-240	SL240N-10-12	120-146		M12, M10	31,5	25	38/33,1	15	13	144,5	86	31		7,6	76
185-240		SL240R-12-16			M12, M16	30	20	33,5	15	12	134	79			7,9	75
185-240		SL240R-12X2-40			M12x2	31,5	20,0	33,5	15	40	12	174	79	70	7,9	75
300-400		SL400R-12X2-40			M12x2	42	25,8	41,5	15	40	12	210	103	70	9,6	99
630		SL630B-12X2-40			M12x2	55	33,0	49,0	17	40	12	218	115	65	11,7	108

t = palm thickness, s = strip length



ELPRESS®